

Telescopic Loading Bellows

ZN



IDEAL COMBINATION OF ATTRACTIVE PRICE, SIMPLICITY AND QUALITY FOR DUST-FREE TANKER LOADING

ZN Loading Bellows are suitable for continuous duty at a maximum capacity of 250 m³/h (147 cfm) with a 300 mm inlet.

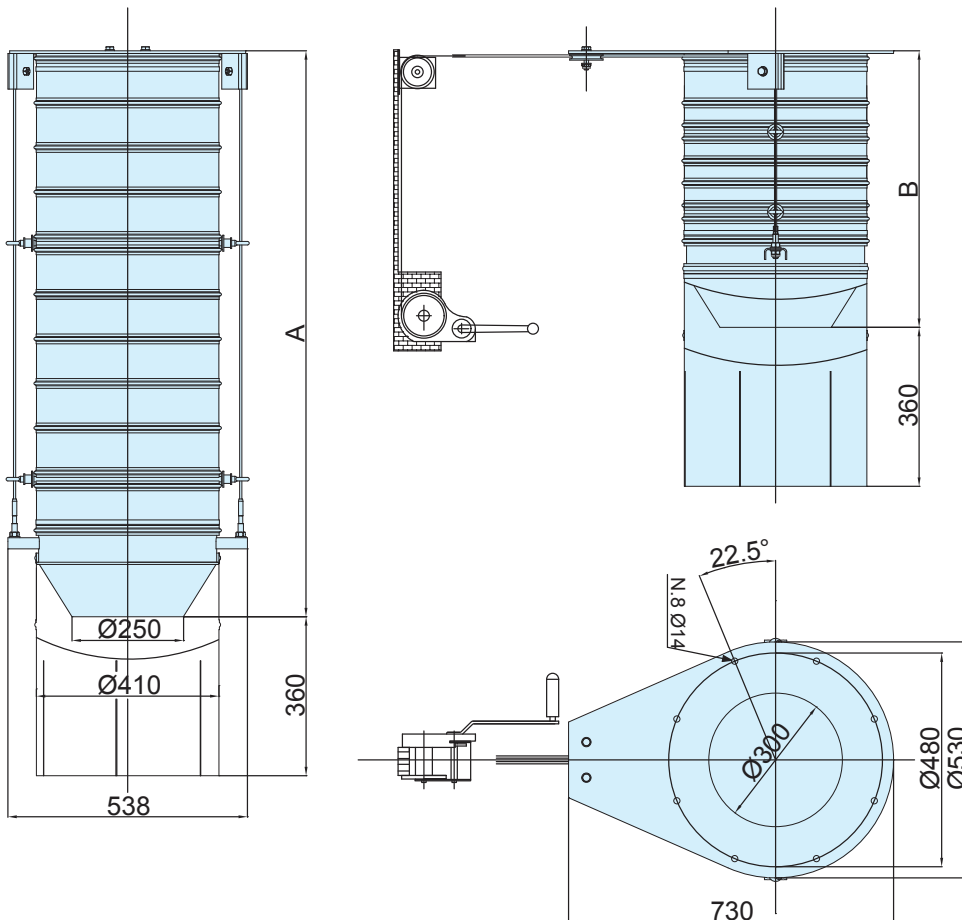
The upper head has a simple, compact design without dust suction inlet. At the lower end the ZN Loading Bellows is provided with a metal cone and a skirt which prevents dust emission during discharging.

Bellows retraction is controlled by a remote handle winch and guide pulley.

Features

- Inlet Diameter: 300mm (12 in)
- Maximum Capacity: 250 m³/h (147 cfm)
- Maximum Extension: 4 metres (13 ft)
- Working Temperature: from -40 up to 150°C (-40 up to 300°F)
- Manually operated with remote handle winch and guide pulley
- 2 off external extension/retraction cables enabling free movement of the loading bellows; wear-resistant
- Manufactured from carbon steel and 304/316 Stainless Steel
- Single bellows, 400 mm diameter (16 in), available in Hypalon®/Neoprene, food-grade polyester or Kevlar®
- ATEX-version for Zone 20-22 and Zone 20-21 available

Overall Dimensions



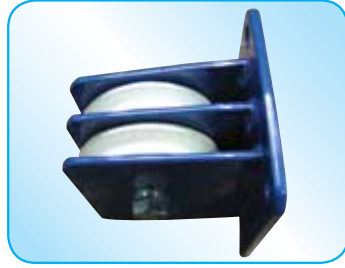
Order Modules	A	B
5	900	400
7	1,170	420
10	1,470	470
12	1,700	450
15	1,970	470
17	2,270	520
20	2,500	500
22	2,770	520
25	3,070	570
27	3,370	620
30	3,670	670
32	3,970	720
35	4,270	770

Benefits

- ✓ Excellent dust-free material loading due to design features of bottom cone and dust containing skirt;
- ✓ Various materials available to fit each application;
- ✓ Reduced, space-saving overall dimensions.

1 Manually Operated

- Handle winch for easy and smooth lifting/lowering
- Minimum tractive force required for perfect braking
- Two fixed pulleys to ensure precise alignment of the cables during extension and retraction



2 Single Chute Section

ZN Loading Bellows is provided with a 400 mm diameter single chute made from different materials:



HYPALON®-NEOPRENE BELLOWS

- Flexible Neoprene bellows coated with Hypalon® means high resistance to atmospheric agents, abrasion and high temperature, making the loader particularly durable.



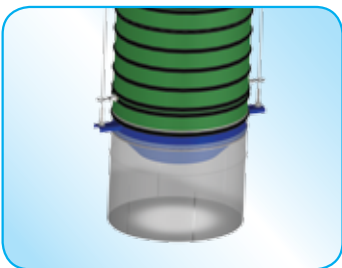
FOOD-GRADE POLYESTER

- Suitable to food products
- Antistatic



KEVLAR® BELLOWS

- Suitable for both high and low temperature applications



3 Bottom Outlet Cone and Dust Barrier Skirt

At the lower end of the Loading Bellows, a cone and a dust barrier skirt are provided which settle on the tanker or stockpile to prevent spreading of dust in the environment.

